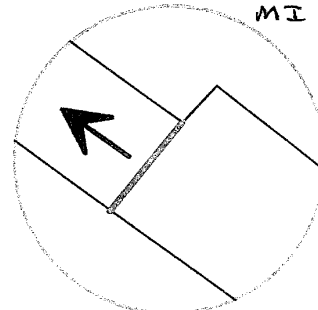
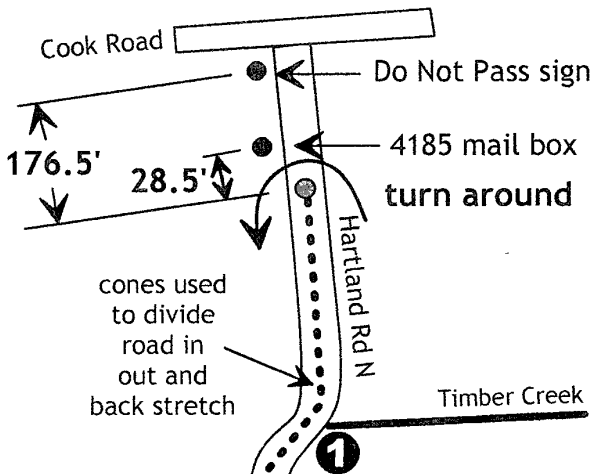


Hartland Memorial Day Run 5K Certification Map

EFFECTIVE DATES: 3.9.11-12.31.21

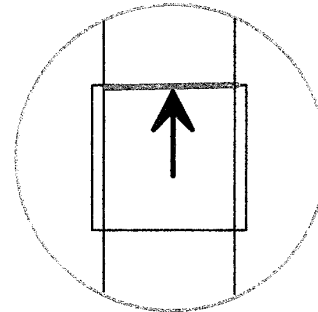
Hal Wolfe

MI 11004SH



start

Start is directly at edge of corner in curb at end of parking area



finish

Finish is directly at north end of concrete bridge over creek (common finish for 5K and 10K courses)

Course notes:

course uses both lanes of all streets except in 2 out and back stretches, and on stretch of Hartland Road south of bridge to Dunham (only eastern lane here)

US 23

out & back stretch

Henry

Avon St
Mill St

Maple Road

School Road
East St

Crouse Road

Bridge

Creekside Int.

course uses one lane only in this stretch south of bridge

start

finish

Bridge

Hartland H.S.

3

School Drive

US 23

Dunham Road

enter in-bound drive into school

Note: map is not to scale



Road Running Technical Council USA Track & Field Measurement Certificate

recognized by



Name of the course MEMORIAL DAY RUN Distance 5 KILOMETERS

Location (state) MICHIGAN (city) HARTLAND

Type of course: road race calibration track Configuration: _____

Type of surface: paved 100 % dirt _____ % gravel _____ % grass _____ % track _____ %

Elevation (meters above sea level) Start 287 Finish 287 Highest 305 Lowest 283

Straight line distance between start & finish 91 METERS Drop 0 m/km Separation 2 %

Measured by (name, address, phone & e-mail) HAL WOLFE 2045 MCKINLEY

YPSILANTI, MI 48197 734 487 5616 hwolfehal@yahoo.com

Race contact (name, address & phone) DENNIS TIERNEY 1288 HOLDEN AVE.

MILFORD, MI 48318 248 891 9125

Measuring Methods: bicycle steel tape electronic distance meter

Number of measurements of entire course: 2 Date(s) when course measured: 10-13-10

Race date: 5-30-11 Course certification effective date: 3-9-11

Replaces: _____ (if applicable) Certification code: MI 11004SH

Notice to Race Director
Use this Certification Code in *all* public
announcements relating to your race.

Be It Officially Noted That

Based on examination of data provided by the above named measurer, the course described above and in the map attached is hereby certified as reasonably accurate in measurement according to the standards adopted by the Road Running Technical Council. If *any* changes are made to the course, this certification becomes void, and the course must then be recertified.

Validation of Course — In the event a National Open Record is set on this course, or at the discretion of USA Track & Field, a validation remeasurement may be required to be performed by a member of the Road Running Technical Council. If such a remeasurement shows the course to be short, then all pending records will be rejected and the course certification will be cancelled.

This certification expires on December 31 in the year 2021

AS NATIONALLY CERTIFIED BY:

Date: 3-9-11

SCOTT HUBBARD USATF/RRTC NATIONAL CERTIFIER 810 629 8963
200 Trealout Dr. #11, FENTON, MI 48430 RUNNINGSHORTS@AOL.COM

MI 11004SH